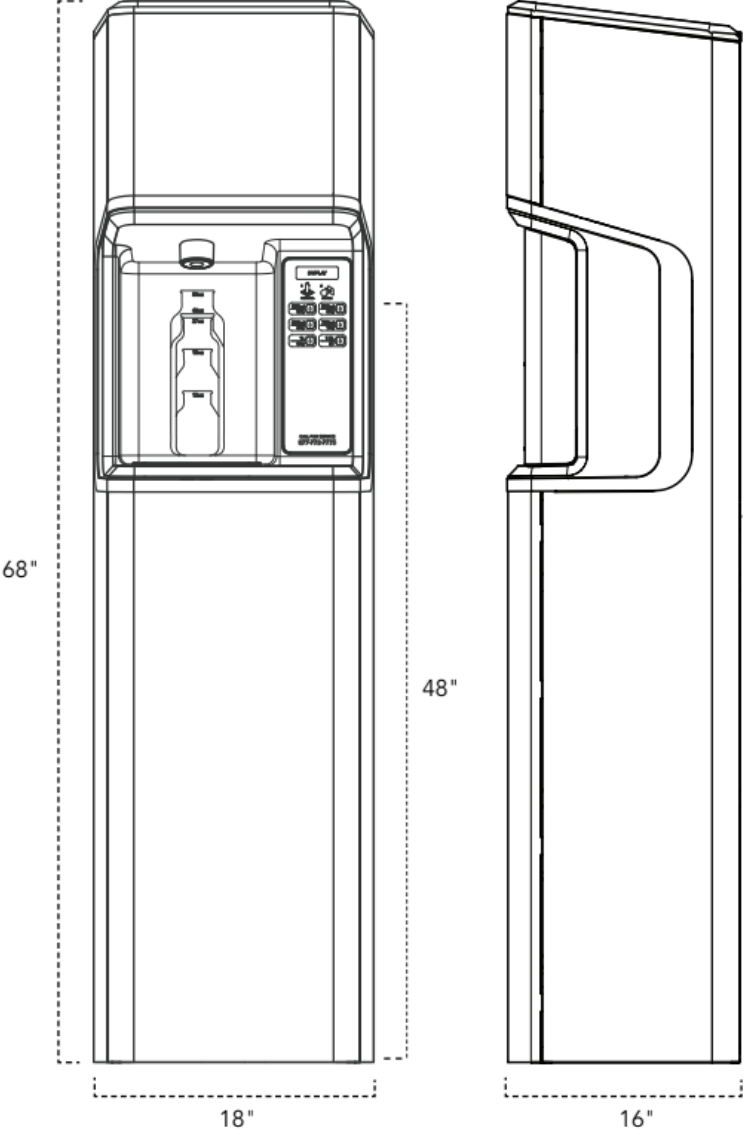


The FloWater Refill Station is 16"L x 18"W x 68"H and fits perfectly in any high-volume location.



Note: If placing a Refill Station in an enclosed cabinet, please leave 3" clearance on each side, and 6" clearance to the rear. Ensure that there is sufficient venting.